

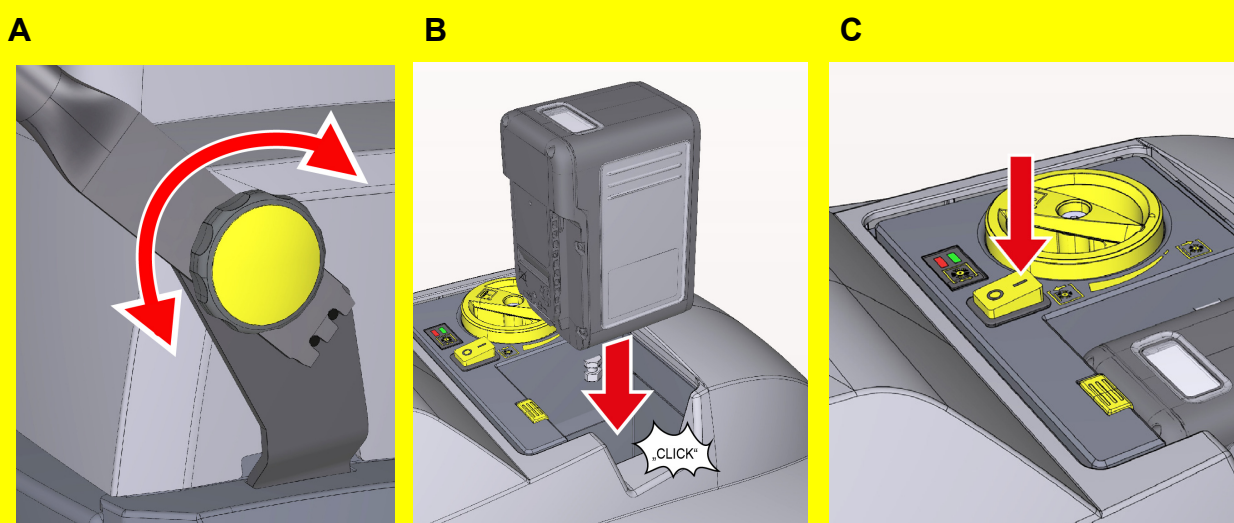


## WARNING

These are brief instructions and do not replace the original operating instructions enclosed with the device! Before using or servicing the device, read the operating instructions supplied with the device. If the operating instructions and safety instructions are not observed, the device can be damaged and dangers could arise for users and other persons.

## Start up

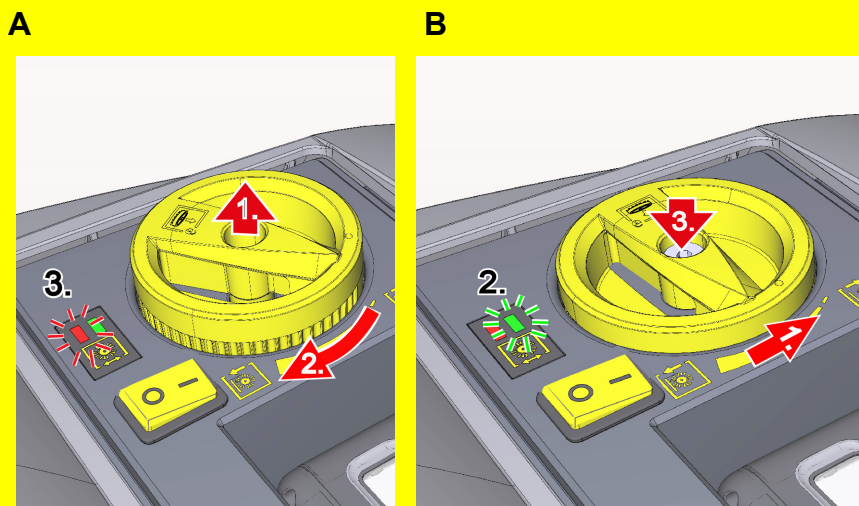
# 1



### Turning on the Appliance

- A Adjust the push handle.
- B Insert the battery and click into place, to do this press down until it is in the latching position.
- C Switch on the device (switch in position I).  
*Note: LED lights up green*

# 2

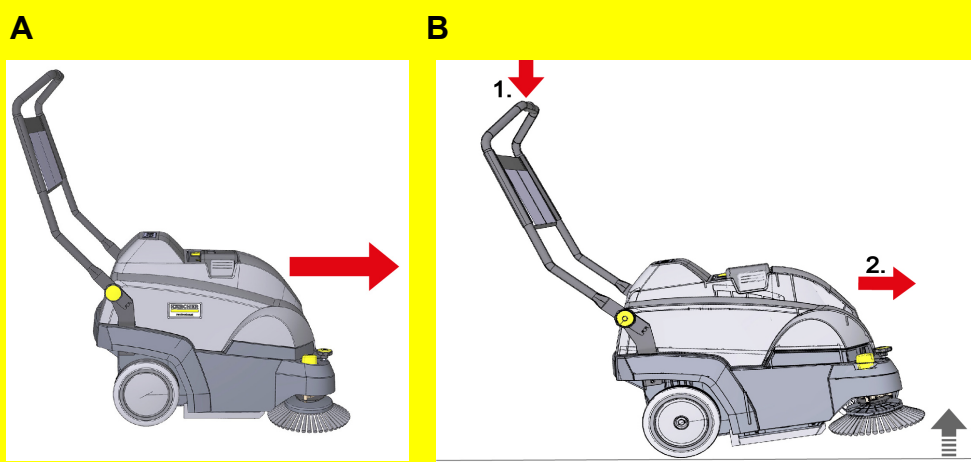


### Adjusting the roller brush

- A Lift the twist grip and turn it clockwise to increase the contact pressure.  
- Increase the contact pressure until the LED lights up red.
- B Turn back one position until the LED lights up green. Then let go of the twist grip and click into place.  
- Recommended operation: "Maximum contact pressure with green LED display".

# Sweeping operation

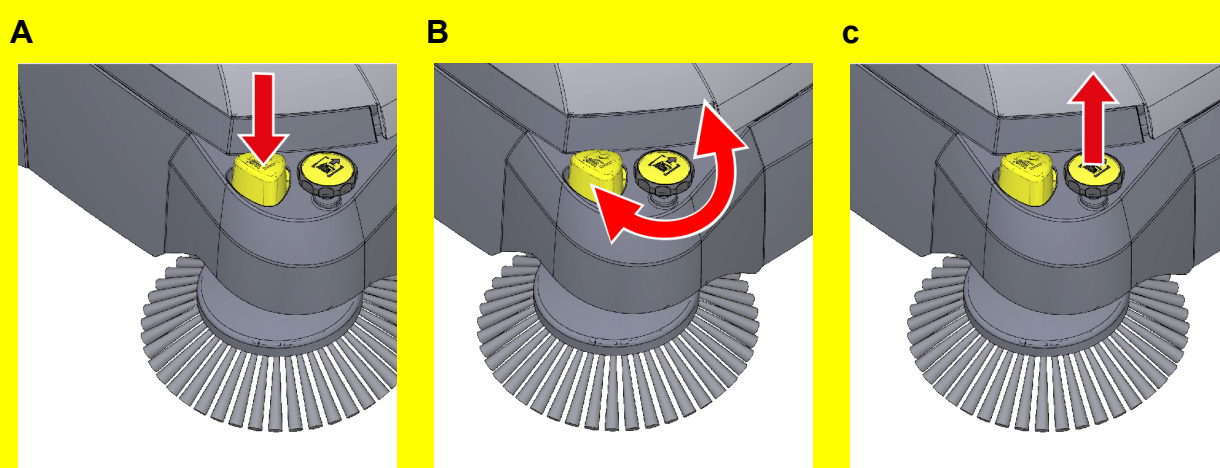
1



### Sweeping mode

- A Work direction is exclusively forwards.
- B To pick up coarse dirt, press the device down on the push handle at the rear and thereby raise the device at the front. Pick up coarse dirt by pushing the device.

2

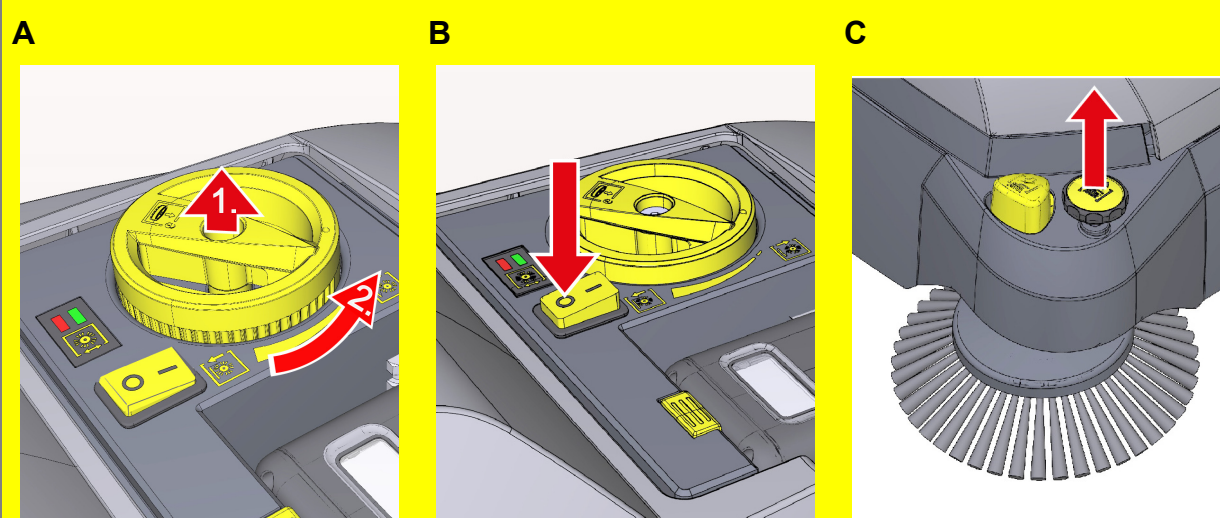


### Sweeping with a side brushes (in the area near the edge)

- A Press lowering the side brushes and lower the side brushes (foot control).
- B Adjust the contact pressure using the rotary knob of the side brushes.
- C Use the rotary knob to lift the side brushes to clean open areas.

# Shutting down the device

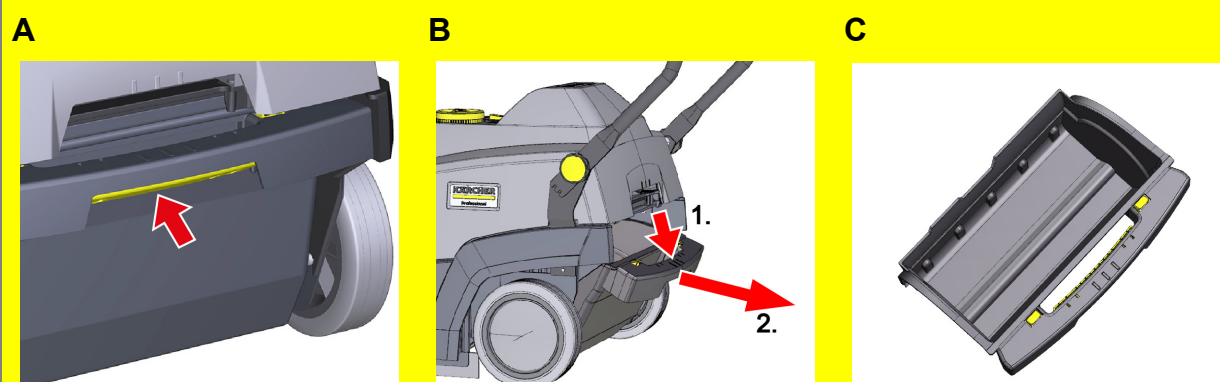
1



### Turn off device

- A Bring the roller brush to the top position with the rotary knob.
- B Switch off the device (switch in position 0).
- C Raise the side brushes by pulling the rotary knob.

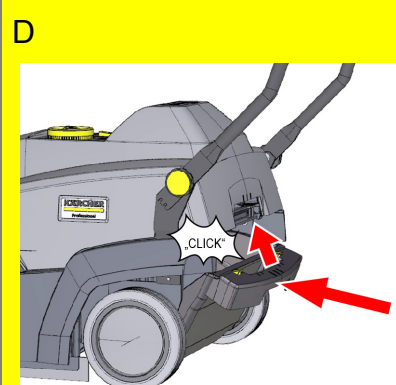
2



### Empty the waste container

- A Release the lock by pressing the yellow bar.
- B Tilt the waste container down and pull it out to the rear.
- C Completely drain the waste container.
- D Insert waste container.

2



3



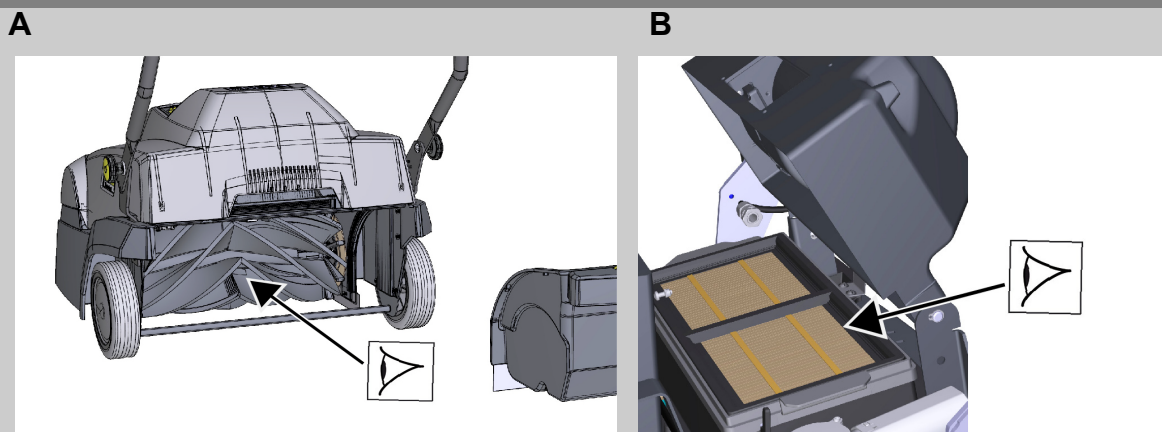
### Charging the battery

- A Remove the battery, insert it into the charging station and charge.



# Maintenance and care

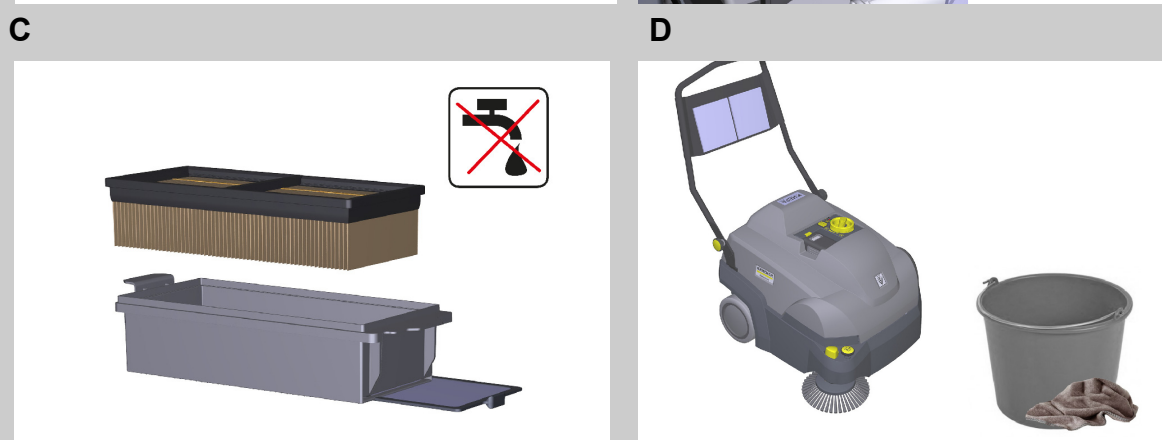
1



**Service (weekly)**

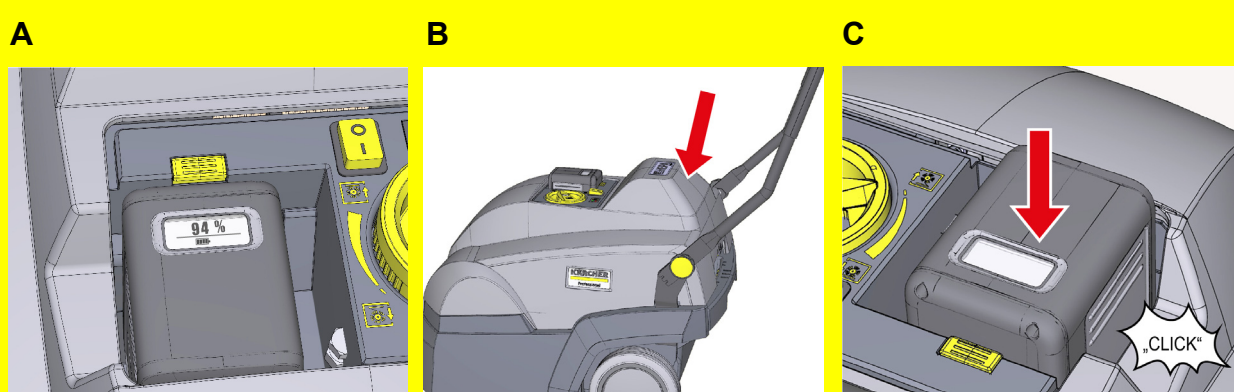
- A Visually check the roller brush/side brushes for damage and wear.
- B Visually check the filter for damage.
- C Clean the pre-filter and main filter.
  - Pull out the pre-filter and clean it.
  - Knock out the dirt in the main filter in the cartridge or remove it and vacuum it (every 10 operating hours)
- D Clean the unit using a damp cloth, wetted with a mild washing lye

1



# Troubleshooting

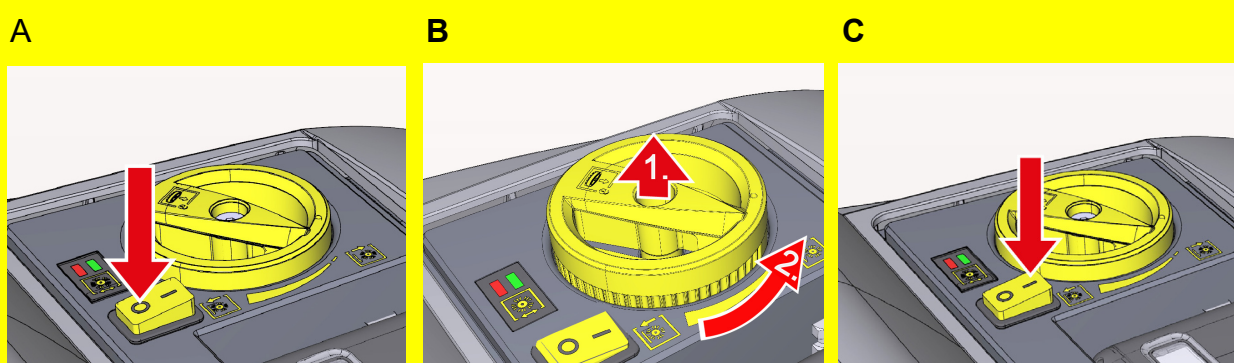
1



**Device does not start**

- A Check battery charge.
- B Check whether the cover is closed (contact switch cover).
- C Check whether the battery is correctly engaged.

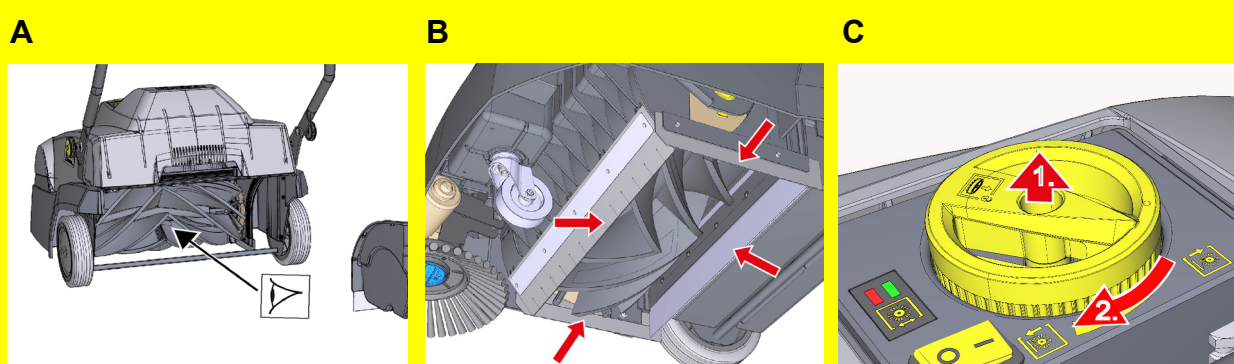
2



**Device overloaded - LED flashes red**

- A Switch off the device (switch in position 0).
- B Raise roller brush.
- C Switch on the device (switch in position I).

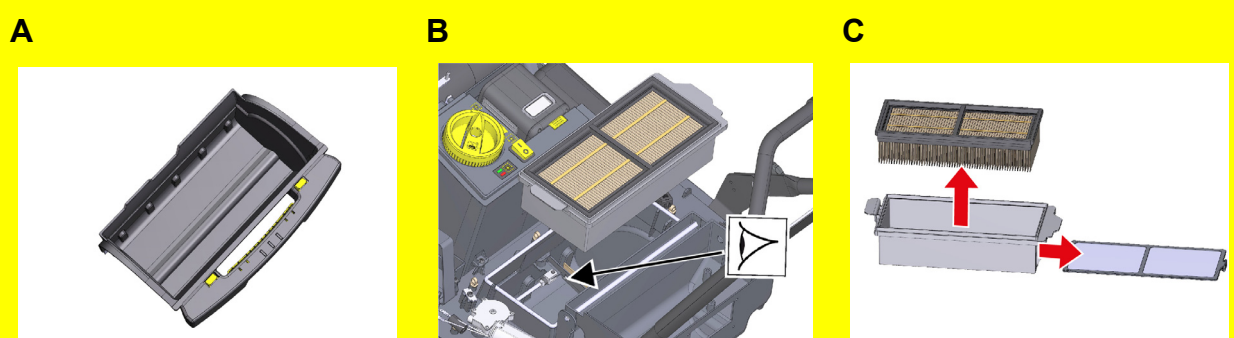
3



**Roller brush does not sweep properly**

- A Check the roller brush for wear and wrapped belts.
- B Check/readjust sealing strips for wear and tear.
- C Increase the contact pressure.

4



**Dust generation**

- A Empty waste container.
- B Remove the filter box and check the filter cleaning function.
- C Check/clean the filter system (filter box, pre-filter and HEPA filter).